

Eaton Brass Products Reference Guide

Inverted Flare

Tube Nut (Steel) 105x	Tube Nut (Brass) 100x	Plug (Steel) 131x	Tube Nut Long (Steel) 7896x	Union 302x	Adapter SAE 45° Flare to Inv. Flare 	Male Connector 202x	Female Connector 252x
45° Male Elbow 352x	90° Union Elbow 502x	90° Male Elbow 402x	90° Female Elbow 452x	Union Tee 702x	Male Run Tee 752x	Male Branch Tee 602x	Female Branch Tee 652x

SAE 45° Flare

Nut 1110x	Long Nut 41x	Cap 40x	Plug 39x	Union 42x	Male Connector 48x	Female Connector 46x	Male Ball Check Connector 43x
45° Male Elbow 54x	AC Type Adapter 	Adapter SAE 45° Flare to Inv. Flare 	90° Union Elbow 55x	90° Male Elbow 49x	90° Female Elbow 50x	Union Tee 44x	Male Run Tee 51x
Male Branch Tee 45x	Adapter Tee 56x						

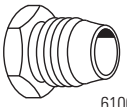
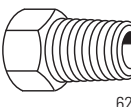
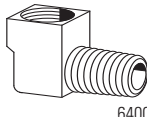
Compression and SelfAlign Products

Tube Support for Plastic Tubing 2030x	Sleeve 60x 601x	Nut 61x 611x	Long Nut 1611x	Bulkhead Nut 0102x	Union 62x 621x	Male Connector 68x 681x	Female Connector 66x 661x
Male Ball Check Connector 63x 631x	Bulkhead Union 74x 741x	90° Male Elbow 69x 691x	90° Union Elbow 65x 651x	90° Female Elbow 70x 701x	Union Tee 64x 641x	Male Run Tee 71x 711x	Male Branch Tee 72x 721x
Adapter Tee 76x							



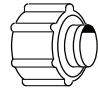

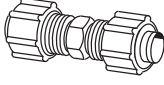
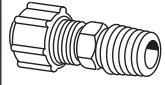
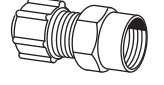
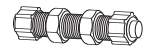
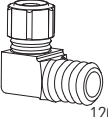
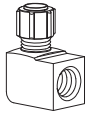
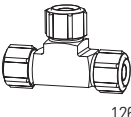
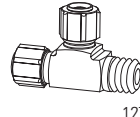
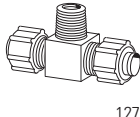


Powering Business Worldwide

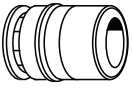
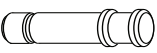
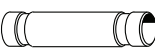

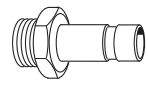

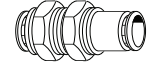
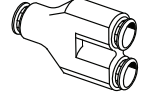
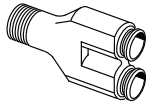
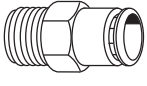
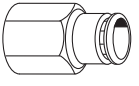

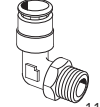
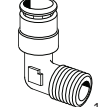
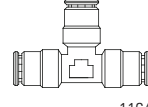
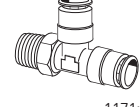
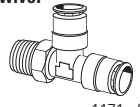
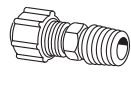
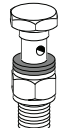


Threaded Sleeve

Nut  6100x	Male Connector  6200x	Male Elbow  6400x
---------------------------------------------------------------------------------------------------------	---------------------------------------------------------------------------------------------------------------------	-----------------------------------------------------------------------------------------------------------------

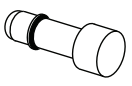
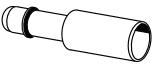
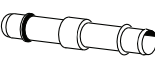
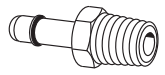
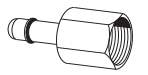
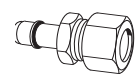
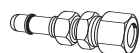
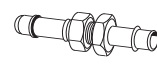

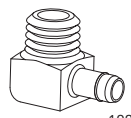
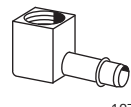
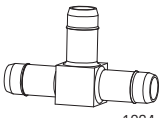
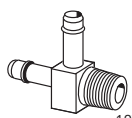
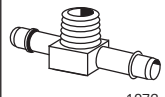
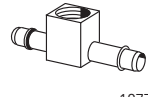
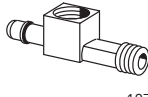
Polyline Flareless

Plastic Sleeve  1260x	Brass Nut  1261x	Brass Nut/Plastic Sleeve Assembly  1261x-Ax	Brass Bulkhead Nut  1202x-A	Union  1262x	Male Connector  1268x	Female Connector  1266x	Bulkhead Union  1274x
Male Elbow  1269x	Female Elbow  1270x	Union Tee  1264x	Male Run Tee  1271x	Male Branch Tee  1272x			

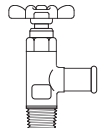
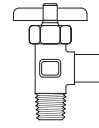
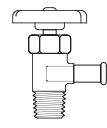
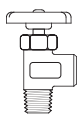
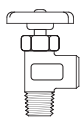
Push>Connect

Cartridge  1161x	Plug (Plastic)  1129x	Double Union  1105x	Reducer  1109x	Stem Adapter  1180x	Union  1612x	Bulkhead Union  1174x	Union "Y"  1107x
Male "Y"  1108x	Male Connector  1168x	Female Connector  1166x	Union Elbow  1165x	Swivel Male Elbow  1169x-S	Male Elbow  1169x	Union Tee  1164x	Male Run Tee Swivel  1171x-S
Male Run Tee Swivel  1171x-S	Male Connector  1168x	Stud Manifolds  	Banjos  	Flow Controls  			

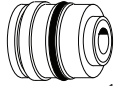
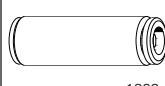
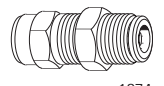
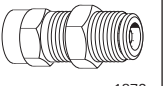
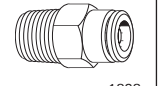
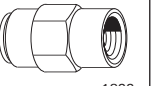




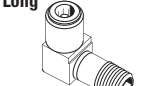





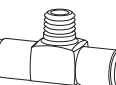


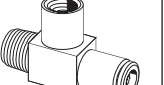
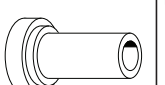


Mini-Barb

Plug  1073x	Solder Connector  1079x	Union  1062x	Male Connector  1068x	Female Connector  1066x	Compression Connector  1078x	Bulkhead Compression Connector  1067x	Bulkhead Union  1074x
Union Elbow  1065x	90° Male Elbow  1069x	90° Female Elbow  1070x	Union Tee  1064x	Male Run Tee  1071x	Male Branch Tee  1072x	Female Branch Tee  1077x	Adapter Tee  1075x



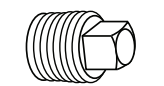
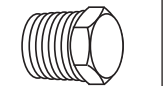
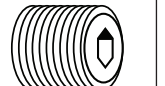
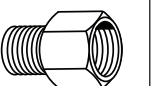

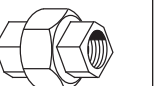

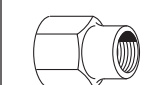
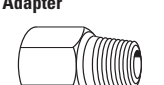
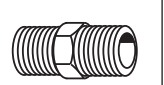
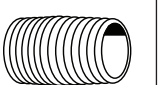





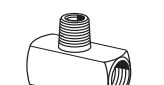



Truck Valves

Truck Valve  7502	Truck Valve  7504	Truck Valve  7506	Truck Valve  7508	Truck Valve  7509
------------------------------------------------------------------------------------------------------------------	-------------------------------------------------------------------------------------------------------------------	-------------------------------------------------------------------------------------------------------------------	-------------------------------------------------------------------------------------------------------------------	-------------------------------------------------------------------------------------------------------------------


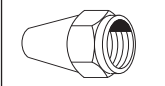
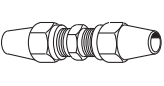
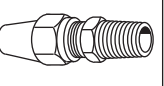
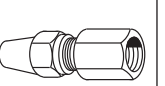

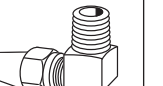
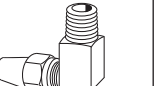
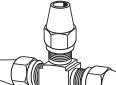
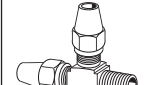
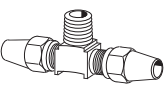

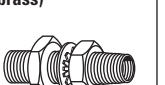

Quick>Connect Air Brake

Encapsulated Cartridge  1861x	Union  1862x	Quick Connect Bulkhead Union  1874x	Female Bulkhead Union  1873x	Male Connector  1868x	Female Connector  1866x	45° Male Elbow  1880x	45° Male Swivel Elbow  1880x-S
90° Union Elbow  1865x	90° Male Elbow  1869x	90° Male Elbow Long  1869x-L	90° Male Swivel Elbow  1869x-S	90° Female Elbow  1870x	Union Tee  1864x	Male Run Tee  1871x	Male Swivel Run Tee  1871x-S
Male Branch Tee  1872x	Swivel Male Branch Tee  1872x-S	Female Branch Tee  1877x	Adapter Tee  1883x	Pressure Plug  1829x	Composite 45° Q-Elbow  217-30000	Composite 90° Q-Elbow  217-10000	


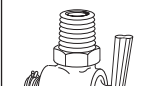












Pipe

Cap  3129x	Slotted Plug  3150x	Square Head Plug  3151x	Hex Head Plug  3152x	Hex Socket Plug  3153x	Adapter  3200x	Bushing  3220x	Union  3250x
Coupling  3300x	Reducer Coupling  3300x	Restriction Pipe Adapter  3300x	Hex Nipple  3325x	Close Nipple  3326x	Long Nipple  3326x	Bulkhead Coupling (brass)  3350x	45° Street Elbow  3350x
90° Street Elbow  3400x	90° Elbow  3500x	Male Branch Tee  3600x	Tee  3700x	Male Run Tee  3750x	Cross  3950x		


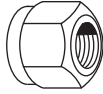
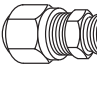
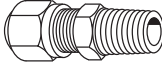
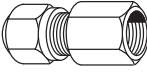
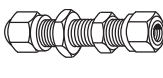
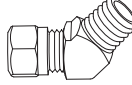
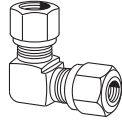
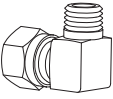

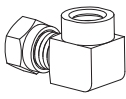
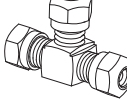
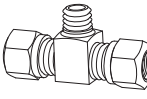
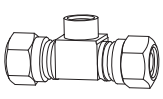
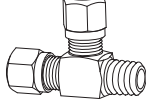
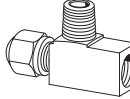
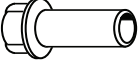

Air Brake Connectors for Copper Tubing

Sleeve  1360x	Nut  1361x	Union  1362x	Male Connector  1368x	Female Connector  1366x	45° Male Elbow  1380x	90° Male Elbow  1369x	90° Male Elbow Long  1369x-L
Union Tee  1364x	Male Run Tee  1371x	Male Branch Tee  1372x	Bulkhead Coupling (brass)  1372x	Bulkhead Coupling (brass)  1372x	Bulkhead Coupling (brass)  1372x		

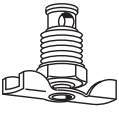
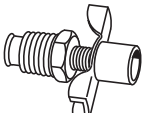

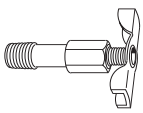
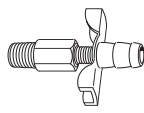
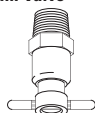
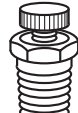
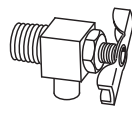
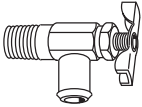
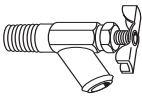
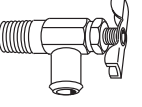
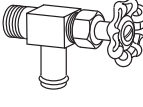
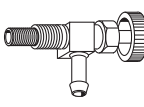
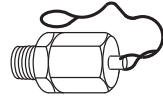

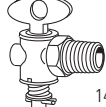
Ground Plug & Multiple Shut-Offs

Draincock  1360x	Ground Plug Drain  1361x	SAE 45° Flare Double  1362x	SAE 45° Flare Straightway  1368x	Compression Double  1366x	Compression Straightway  1380x	Male to Female Pipe  1369x	Truck Shut-Off to Female Pipe  1369x-L
Marine Shut-Off Male to Female Pipe  1364x	Female Pipe Double  1371x	3-Way Shut-Off  1372x	3-Way Multiple Shut-Off  1372x	4-Way Multiple Shut-Off  1372x	Brass Ball Valves  1372x		

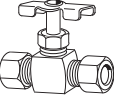




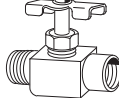

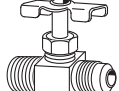
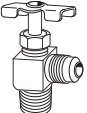

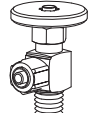
Air Brake Connectors for Nylon Tubing

Sleeve  1460x	Nut  1461x	Union  1462x	Male Connector  1468x	Female Connector  1466x	Bulkhead Union  1474x	45° Male Elbow  1480x	Union Elbow  1465x
90° Male Elbow  1469x	90° Male Elbow Long  1469x-L	90° Female Elbow  1470x	Union Tee  1464x	Male Branch Tee  1472x	Female Branch Tee  1477x	Male Run Tee  1471x	Adapter Tee  1482x
Insert  1484x	Gauge Ring  1485x						

Drain Cocks

External Seat 	External Seat 	Internal Seat 	Internal Seat (long) 	Internal Seat 	Internal Seat Drain Valve 	Air Vent 	Angle Bib Drain 
Angle Bib Drain 	Hose to Pipe (steel) 	Hose to Pipe (steel) 	Pipe to Hose Shut-Off 	Gasoline Shut-Off with screen filter 	Air Tank Drain Valve 	Drain Cock  W15310	External Seat Draincock  145

Needle Valves

Compression Double 	Compression Straightway 	Compression Angle 	Inverted Straightway 	Male Pipe Double 	Male to Female Pipe 	Female Pipe 	SAE 45° Flare Straightway 
SAE 45° Flare Angle 	Polyline Straightway 	Polyline Angle 					

Eaton
 Hydraulics Group USA
 14615 Lone Oak Road
 Eden Prairie, MN 55344
 USA
 Tel: 952-937-9800
 Fax: 952-294-7722
www.eaton.com/hydraulics

Eaton
 Hydraulics Group Europe
 Route de la Longeraie 7
 1110 Morges
 Switzerland
 Tel: +41 (0) 21 811 4600
 Fax: +41 (0) 21 811 4601

Eaton
 Hydraulics Group Asia Pacific
 Eaton Building
 No.7 Lane 280 Linhong Road
 Changning District, Shanghai
 200335 China
 Tel: (+86 21) 5200 0099
 Fax: (+86 21) 2230 7240