

14F Miniature Particulate Filters

- Excellent water removal efficiency
- 5 micron element standard on 14F
- Integral 1/8", 1/4" ports (NPT, BSPP & BSPT)

Material specifications

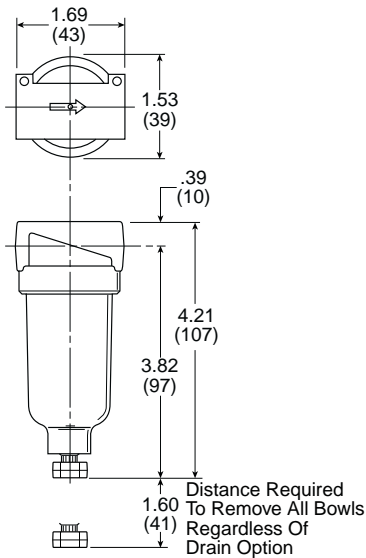
Description		14F (Mini)
Body		Zinc
Bowl		Polycarbonate
Deflector, element holder, baffle		Plastic
Drains – Twist	Body & stem	Plastic
	Seals	Nitrile
Drains – Auto pulse	Piston & seals	Nitrile
	Stem, seat, adapter & washers	Aluminum
Filter element –	5 micron (Standard)	Plastic
	40 micron (Optional)	Plastic
	Adsorber (Optional)	Activated charcoal
Seals		Nitrile



Operating information

		14F
Operating pressure:	Poly bowl	0 to 150 PSIG (0 to 10.3 bar)
	Metal bowl	0 to 250 PSIG (0 to 17.2 bar)
	Auto pulse drain	10 to 250 PSIG (0.7 to 17.2 bar)
Operating temperature:	Poly bowl	32°F to 125°F (0°C to 52°C)
	Metal bowl	32°F to 175°F (0°C to 80°C)
	Auto pulse drain	125°F (52°C) or less

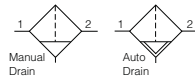
14F




Service kits

Description			14F (Mini)
Bowl Kits	Poly bowl –	Auto pulse drain	PS408BP
		Twist drain	PS404P
	Metal bowl –	Auto drain	PS451BP
		Twist drain	PS447BP
Filter element kit –	40 micron	PS401P	
	5 micron	PS403P	
	Adsorber	PS452P	
Mounting bracket kit			PS417BP

14F Particulate Filters



	Port size	Bowl type	Sight gauge	Flow SCFM	Element type	Part number (NPT)	
						Twist drain	Automatic pulse drain
14F 	1/8"	Poly	No	22	5 micron	14F01BB	14F05BB
	1/8"	Metal	No	22	5 micron	14F03BB	14F07BB
	1/4"	Poly	No	24	5 micron	14F11BB	14F15BB
	1/4"	Metal	No	24	5 micron	14F13BB	14F17BB

 Most popular.



10F Miniature Coalescing Filters

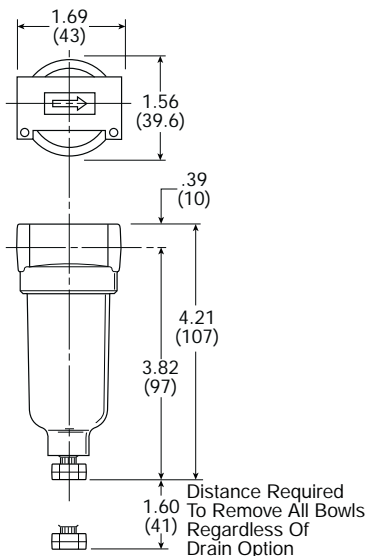
- Removes liquid aerosols and sub-micron particles
- 0.01 micron element standard
- Integral 1/8", 1/4" ports (NPT, BSPP & BSPT)

Material specifications

Description		10F (Mini)
Body		Zinc
Bowl		Polycarbonate
Drains – Twist	Body & stem	Plastic
	Seals	Nitrile
Drains – Auto Pulse	Piston & seals	Nitrile
	Stem, seat, adapter & washers	Aluminum
Element holder		Plastic
Filter element	1.0 micron	Borosilicate & felt glass fibers
	0.01 micron	
Seals		Nitrile



10F



Operating information

		10F
Operating pressure:	Poly bowl	0 to 150 PSIG (0 to 10.3 bar)
	Metal bowl	0 to 250 PSIG (0 to 17.2 bar)
	Auto pulse drain	10 to 250 PSIG (0.7 to 17.2 bar)
Operating temperature:	Poly bowl	32°F to 125°F (0°C to 52°C)
	Metal bowl	32°F to 175°F (0°C to 80°C)
	Auto pulse drain	125°F (52°C) or less

Service kits

Description			10F (Mini)
Bowl Kits	Poly bowl –	Auto pulse drain	PS408BP
		Twist drain	PS404P
	Metal bowl	Auto drain	PS451BP
		Twist drain	PS447BP
Filter element kit –	Grade 6 (standard)	PS446P	
	Grade 10 (optional)	PS456P	
Mounting bracket kit			PS417BP

Coalescing Filters



	Port size	Bowl type	Sight gauge	Flow SCFM	Element type	Part number (NPT)	
						Twist drain	Automatic pulse drain
10F	1/8"	Poly	No	17	0.01 micron	10F01ED	10F05ED
	1/8"	Poly	No	19	1.0 micron	10F01HD	10F05HD
	1/8"	Metal	No	17	0.01 micron	10F03ED	10F07ED
	1/8"	Metal	No	19	1.0 micron	10F03HD	10F07HD
	1/4"	Poly	No	20	0.01 micron	10F11ED	10F15ED
	1/4"	Poly	No	24	1.0 micron	10F11HD	10F15HD
	1/4"	Metal	No	20	0.01 micron	10F13ED	10F17ED
	1/4"	Metal	No	24	1.0 micron	10F13HD	10F17HD



Most popular.



14R, 15R Miniature Regulators

- Unbalanced poppet standard
- Solid control piston with lip seal for extended life
- Non-rising adjusting knob
- Compact, 2.88 inch (73.2mm) high by 1.65 inch (42mm) wide
- Easily serviced
- 14R: 1/8" & 1/4" ports (NPT, BSPP & BSPT)
- 15R: 1/4" & 3/8" ports (NPT, BSPP & BSPT)



14R



15R

Material specifications



Adjusting nut	Brass
Adjusting stem & spring	Steel
Body	Zinc
Bonnet, seat, piston & valve poppet	Plastic
Seals	Nitrile

Operating information

	14R (Mini), 15R (Economy)
Pressure rating:	0 to 300 PSIG (0 to 20.4 bar)
Temperature rating:	32°F to 125°F (0°C to 52°C)
Low temperature:	-4°F to 125°F (-20°C to 52°C)
Secondary pressure ranges –	
Standard pressure	2 to 125 PSIG (0 to 8.6 bar)
Medium pressure	1 to 60 PSIG (0 to 4.1 bar)
Medium pressure	1 to 30 PSIG (0 to 2.1 bar)
Low pressure	1 to 15 PSIG (0 to 1 bar)



Regulators

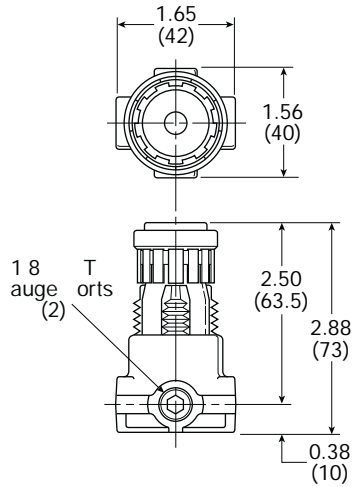
	Port size	Pressure range	Flow SCFM	Part number (NPT)	
				Without gauge	With gauge
 14R	1/8"	30 PSIG	13	14R010FC	14R015FC
	1/8"	60 PSIG	13	14R011FC	14R016FC
	1/8"	125 PSIG	13	14R013FC	14R018FC
	1/4"	30 PSIG	15	14R110FC	14R115FC
	1/4"	60 PSIG	15	14R111FC	14R116FC
	1/4"	125 PSIG	15	14R113FC	14R118FC
 15R	1/4"	30 PSIG	21	15R110FB	15R115FB
	1/4"	60 PSIG	21	15R111FB	15R116FB
	1/4"	125 PSIG	21	15R113FB	15R118FB
	3/8"	30 PSIG	28	15R210FB	15R216FB
	3/8"	60 PSIG	28	15R211FB	15R215FB
	3/8"	125 PSIG	28	15R213FB	15R218FB

WARNING
 Product rupture can cause serious injury.
 Do not connect regulator to bottled gas.
 Do not exceed maximum primary pressure rating.

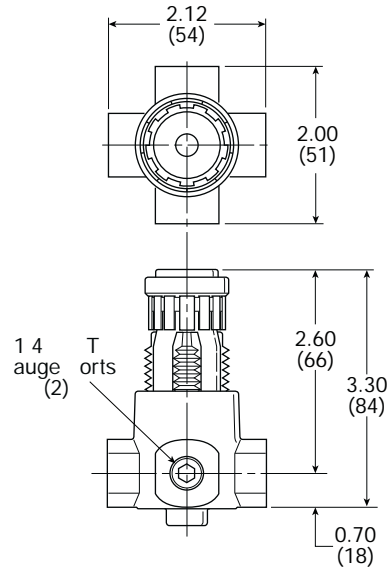
CAUTION:
REGULATOR PRESSURE ADJUSTMENT –
 The working range of knob adjustment is designed to permit outlet pressures within their full range. Pressure adjustment beyond this range is also possible because the knob is not a limiting device. This is a common characteristic of most industrial regulators, and limiting devices may be obtained only by special design. For best performance, regulated pressure should always be set by increasing the pressure up to the desired setting.

 Most popular.

14R (Mini)



15R (Economy)



Service kits

Description	14R (Mini)	15R (Economy)
Body service kit – unbalanced		PS424BP
Bonnet assembly kit	L01369	L01369
Bonnet tamperproof kit	P01265	
Gauges –		
40mm (1-1/2") round	30 PSIG, 1/8" NPT (0 to 2.1 bar)	K4515N18030
1/8" center back mount	60 PSIG, 1/8" NPT (0 to 4.1 bar)	K4515N18060
	160 PSIG, 1/8" NPT (0 to 11.0 bar)	K4515N18160
50mm (2") round	60 PSIG, 1/4" NPT (0 to 4.1 bar)	K4520N14060
1/4" center back mount	160 PSIG, 1/4" NPT (0 to 11.0 bar)	K4520N14160
Mounting bracket kit (includes panel mount nut)	PS417BP	PS417BP
Panel mount nuts –		
Plastic	P78652	P78652
Metal	P01531	P01531
Poppet / piston kits –		
Unbalanced, non-relieving	PS428P	
Unbalanced, relieving	PS426P	
Seal kit		PS454B
Springs –		
1-15 PSIG range (Yellow)	P01176	P01176
1-30 PSIG range (Black)	P01175	P01175
1-60 PSIG range (White)	P01174	P01174
2-125 PSIG range (Gold)	P01173	P01173

R34 Miniature Regulators

- Diaphragm operated for fast operation
- Large Diaphragm to valve area ratio for precise regulation and high flow capacity
- Balanced valve design for precise regulation
- Available in 2 or 4 port design
- Available with a manifold mount to minimize plumbing
- Suitable for low temperature applications
- Non-rising adjusting knob
- 1/8" & 1/4" ports (NPT & BSPP)



R342 / R344



R342-0MC

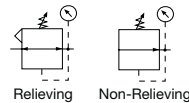
Material specifications

Description	R34 (Mini)
Body	Aluminum
Bonnet	Acetal
Diaphragm & seals	Nitrile
Springs	Steel
Panel nut	Acetal
Valve assembly	Brass

Operating information

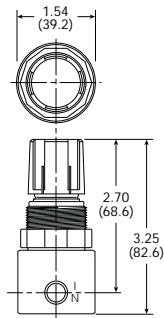
	R34 (Mini)
Supply pressure:	300 PSIG (20.4 bar) max
Temperature rating:	-40°F to 150°F (-40°C to 65.5°C)

R34 Regulator, relieving

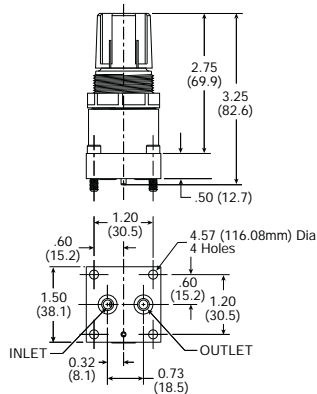


Port size	Pressure range	Flow SCFM	Part number	
			Without gauge	With gauge
1/8"	0 to 30 PSIG (0 to 2.1 bar)	17	R344-01A	R344-01AG
1/8"	0 to 60 PSIG (0 to 4.1 bar)	17	R344-01B	R344-01BG
1/8"	0 to 125 PSIG (0 to 8.6 bar)	17	R344-01C	R344-01CG
1/4"	0 to 30 PSIG (0 to 2.1 bar)	19	R344-02A	R344-02AG
1/4"	0 to 60 PSIG (0 to 4.1 bar)	19	R344-02B	R344-02BG
1/4"	0 to 125 PSIG (0 to 8.6 bar)	19	R344-02C	R344-02CG
Manifold Mount			R342-0MA	
Manifold Mount			R342-0MB	
Manifold Mount			R342-0MC	

R342 / R344



R342-0MC



Service kits

Diagram assembly	Non-relieving	GRP-96-726
	Relieving	GRP-96-725
Gauges -	60 PSIG, 1/8" NPT (0 to 4.1 bar)	K4515N18060
	160 PSIG, 1/8" NPT (0 to 11.0 bar)	K4515N18160
Mounting bracket kit (includes panel mount nut)		SA161X57
Panel mount nuts	Plastic	R05X51-P
	Aluminum	R05X51-A
Springs -	0 to 30 PSIG (0 to 2.1 bar)	GRP-95-111
	0 to 60 PSIG (0 to 4.1 bar)	GRP-96-718
	0 to 125 PSIG (0 to 8.6 bar)	GRP-96-717

CAUTION: REGULATOR PRESSURE ADJUSTMENT -

The working range of knob adjustment is designed to permit outlet pressures within their full range. Pressure adjustment beyond this range is also possible because the knob is not a limiting device. This is a common characteristic of most industrial regulators, and limiting devices may be obtained only by special design. For best performance, regulated pressure should always be set by increasing the pressure up to the desired setting.

WARNING
 Product rupture can cause serious injury.
 Do not connect regulator to bottled gas.
 Do not exceed maximum primary pressure rating.

Most popular.



20R, R24 / R25, R45 / R46 Miniature Regulators

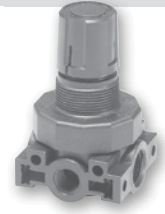
- 20R: Rugged brass body for water service
- R24 / R25, R45 / R46: Constructed with a combination of N.S.F. and F.D.A. approved materials
- Unbalanced poppet standard
- Non-rising, push-to-lock adjusting knob
- Diaphragm operated
- 20R: 1/8" & 1/4" ports (NPT & BSPP)
- R24 / R25: 1/8" & 1/4" ports (NPT & BSPP)
- R45 / R46: 1/4" & 3/8" ports (NPT & BSPP)



20R



R24 / R25



R45 / R46

Material specifications

	20R	R25 / R45	R24 / R46
Adjusting screw	Steel	Steel	Steel
Body		Acetal	Acetal
Body, bottom plug, diaphragm button	Brass		
Bonnet & seat	Plastic	Acetal	Acetal
Diaphragm		Buna N	EPDM
Seals	Buna N	Buna N	EPDM
Springs	Steel	Stainless	Stainless
Valve poppet	Brass	Buna N	EPDM

Operating information

	20R
Pressure rating:	0 to 300 PSIG (0 to 20.4 bar)
Secondary pressure ranges –	
Standard pressure	2 to 125 PSIG (0 to 8.6 bar)
Medium pressure	1 to 60 PSIG (0 to 4.1 bar)
Medium pressure	1 to 25 PSIG (0 to 2.1 bar)
Temperature rating:	32°F to 125°F (0°C to 52°C)
	R24 / R25, R45 / R46
Pressure rating:	0 to 150 PSIG (0 to 10 bar)
Temperature rating:	40°F to 125°F (4°C to 52°C)

Regulators



	Port size	Pressure range	Flow	Part number (NPT)	
				Air service, relieving	Water service, non-relieving
	1/8"	25 PSIG		R25-01A	R24-01AK
	1/8"	60 PSIG		R25-01B	R24-01BK
	1/8"	125 PSIG		R25-01C	R24-01CK
	1/4"	25 PSIG		R25-02A	R24-02AK
	1/4"	60 PSIG		R25-02B	R24-02BK
	1/4"	125 PSIG		R25-02C	R24-02CK
	1/4"	25 PSIG	R45: 35 SCFM; R46: 3 GPM	R45-02A	R46-02AK
	1/4"	60 PSIG	R45: 35 SCFM; R46: 3 GPM	R45-02B	R46-02BK
	1/4"	125 PSIG	R45: 35 SCFM; R46: 3 GPM	R45-02C	R46-02CK
	3/8"	25 PSIG	R45: 35 SCFM; R46: 3 GPM	R45-03A	R46-03AK
	3/8"	60 PSIG	R45: 35 SCFM; R46: 3 GPM	R45-03B	R46-03BK
	3/8"	125 PSIG	R45: 35 SCFM; R46: 3 GPM	R45-03C	R46-03CK
				Water service, relieving	Water service, non-relieving
	1/8"	25 PSIG	1.25 GPM	20R011FC	20R011GC
	1/8"	60 PSIG	1.25 GPM	20R061FC	20R061GC
	1/8"	125 PSIG	1.25 GPM	20R013FC	20R013GC
	1/4"	25 PSIG	1.25 GPM	20R111FC	20R111GC
	1/4"	60 PSIG	1.25 GPM	20R161FC	20R161GC
	1/4"	125 PSIG	1.25 GPM	20R113FC	20R113GC

NOTE: 1.25 Dia. (32mm) hole required for panel mounting.



WARNING

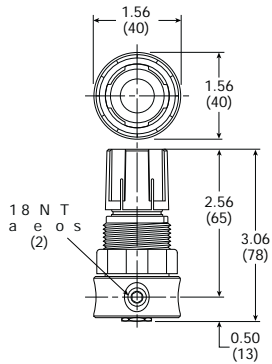
Product rupture can cause serious injury.
 Do not connect regulator to bottled gas.
 Do not exceed maximum primary pressure rating.

Most popular.

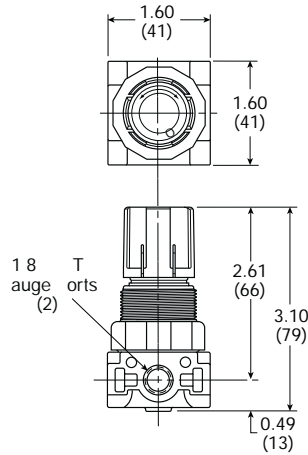
CAUTION: REGULATOR PRESSURE ADJUSTMENT –

The working range of knob adjustment is designed to permit outlet pressures within their full range. Pressure adjustment beyond this range is also possible because the knob is not a limiting device. This is a common characteristic of most industrial regulators, and limiting devices may be obtained only by special design. For best performance, regulated pressure should always be set by increasing the pressure up to the desired setting.

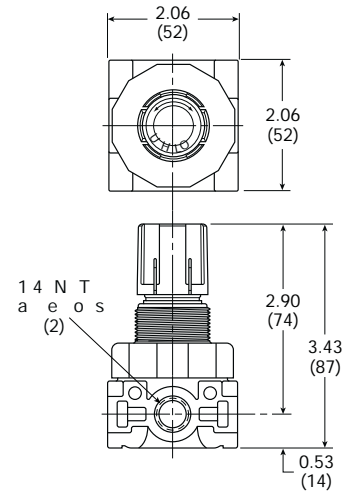
20R



R24/R25



R45/R46



Service kits

Description	20R	R24	R25	R45	R46
Bonnet kit	PCKR364Y				
Bonnet tamperproof kit	PCKR364T				
Mounting bracket kit (includes panel mount nut)	SA161X57	SA161X57	SA161X57	SA161X57	SA161X57
Panel mount nuts – Plastic	R05X51-P	R05X51-P	R05X51-P	R05X51-P	R05X51-P
Aluminum	R05X51-A	R05X51-A	R05X51-A	R05X51-A	R05X51-A
Repair kits – Non-relieving	PRKR163Y	RKR24KY	RKR25KY	RKR45KY	RKR45KY
Relieving	PRKR164Y	RKR24Y	RKR25Y	RKR45Y	RKR45Y
Springs – 0 to 25 PSIG (0 to 1.7 bar)		SPR-375-1	SPR-375-1	SPR-46	SPR-46
0 to 60 PSIG (0 to 4.1 bar)		SPR-376	SPR-376	SPR-47	SPR-47
0 to 125 PSIG (0 to 8.6 bar)		SPR-377	SPR-377	SPR-48	SPR-48

Most popular.



14E, B34 Miniature Filter / Regulators

14E

- Excellent water removal efficiency
- Unbalanced poppet standard
- Solid control piston for extended life
- Space saving package offers both filter and regulator features in one integral unit
- Non-rising adjustment knob
- Two full flow 1/8" gauge ports

B34

- Excellent water removal efficiency diaphragm operated for fast operation
- Large diaphragm to valve area for precise regulation and high flow capacity
- Balanced valve design for precise regulation
- Space saving package offers both filter and regulator features in one integral unit
- Non-rising adjustment knob



14E





B34

Operating information

	14E	B34
Pressure rating – Polycarbonate bowl Metal bowl	0 to 150 PSIG (0 to 10.3 bar) 0 to 250 PSIG (0 to 17.2 bar)	0 to 150 PSIG (0 to 10.3 bar) 0 to 300 PSIG (0 to 17.2 bar)
Secondary pressure ranges:	Standard pressure 2 to 125 PSIG (0 to 8.6 bar) Medium pressure 1 to 30 PSIG (0 to 2.1 bar) Medium pressure 1 to 60 PSIG (0 to 4.1 bar) Low pressure 1 to 15 PSIG (0 to 1 bar)	Reduced pressure ranges 0 to 25 PSIG (0 to 1.7 bar) 1 to 60 PSIG (0 to 4.1 bar) 2 to 125 PSIG (0.15 to 8.5 bar)
Temperature rating – Polycarbonate bowl Metal bowl	32°F to 125°F (0°C to 52°C) 32°F to 175°F (0°C to 80°C)	40°F to 125°F (4.4°C to 52°C) 40°F to 125°F (4.4°C to 52°C)

Miniature Filter / Regulators



	Port size	Bowl type	Drain type	Flow SCFM	Element type	Part number (NPT)		
						Pressure range		
						30 PSIG	60 PSIG	125 PSIG
	1/8"	Poly	Twist	16	5 micron	14E01B10FC	14E01B11FC	14E01B13FC
	1/8"	Poly	Auto pulse	16	5 micron	14E05B10FC	14E05B11FC	14E05B13FC
	1/8"	Metal	Twist	16	5 micron	14E03B10FC	14E03B11FC	14E03B13FC
	1/8"	Metal	Auto pulse	16	5 micron	14E07B10FC	14E07B11FC	14E07B13FC
	1/4"	Poly	Twist	18	5 micron	14E11B10FC	14E11B11FC	14E11B13FC
	1/4"	Poly	Auto pulse	18	5 micron	14E15B10FC	14E15B11FC	14E15B13FC
	1/4"	Metal	Twist	18	5 micron	14E13B10FC	14E13B11FC	14E13B13FC
	1/4"	Metal	Auto pulse	18	5 micron	14E17B10FC	14E17B11FC	14E17B13FC
	1/8"	Poly	Twist	17	5 micron			B344-01AGC
	1/8"	Metal	Twist	17	5 micron			B344-01DGC
	1/4"	Poly	Twist	19	5 micron			B344-02AGC
	1/4"	Metal	Twist	19	5 micron			B344-02DGC

⚠ WARNING

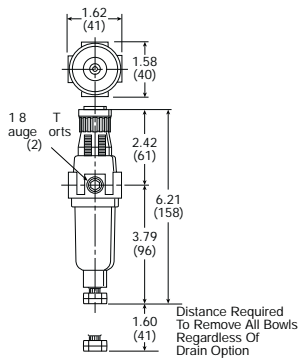
Product rupture can cause serious injury.
 Do not connect regulator to bottled gas.
 Do not exceed maximum primary pressure rating.

CAUTION: REGULATOR PRESSURE ADJUSTMENT –

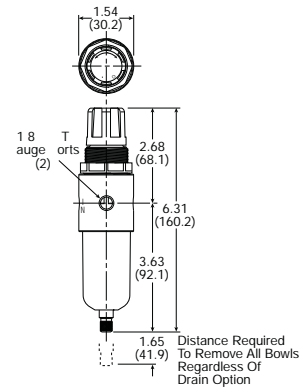
The working range of knob adjustment is designed to permit outlet pressures within their full range. Pressure adjustment beyond this range is also possible because the knob is not a limiting device. This is a common characteristic of most industrial regulators, and limiting devices may be obtained only by special design. For best performance, regulated pressure should always be set by increasing the pressure up to the desired setting.

 Most popular.

14E



B34



Material specifications

Description	14E (Mini)	B34
Adjusting nut	Brass	
Adjusting stem & spring	Steel	
Body	Zinc	Aluminum
Bonnet, knob, seat, piston, holder & deflector	Plastic	
Bowls	Transparent Metal	Polycarbonate Zinc
Drains	Manual – twist Automatic – pulse	Body & stem Seals Piston & seals Stem, seat, adapter & washers
Elastomers		Buna N
Filter elements	5 Micron (standard) 40 Micron (optional) Adsorber (optional)	Plastic Plastic Activated charcoal
Filter retainer, vane plate		Acetal
Innervalve, diaphragm, button, drain		Brass
Seals	Nitrile	

Service kits

Adjusting knob		RRP-16-005-000
Bonnet tamperproof kit	P01265	
Bowl kits	Poly bowl – Automatic pulse drain Twist drain	PS408BP PS404P
	Metal bowl – Automatic drain Twist drain	PS451BP PS447BP
Drain kits	Automatic pulse drain	RK504SY
Filter element kits –	5 Micron 40 Micron Adsorber	PS403P PS401P PS452P
Gauges –	30 PSIG (0 to 2.1 bar) 60 PSIG (0 to 4.1 bar) 160 PSIG (0 to 11.0 bar)	K4515N18030 K4515N18060 K4515N18160
Mounting bracket kit* (includes panel mount nut)		PS417BP SA161X57
Panel mount nuts –	Plastic Aluminum	P78652 R05X51-P R05X51-A
Poppet / piston kits –	Unbalanced, non-relieving Unbalanced, relieving	PS428P PS426P
Repair kits –	Non-relieving, diaphragm, valve assembly Relieving, diaphragm, valve assembly	GRP-96-726 GRP-96-725
Springs –	15 PSIG 30 PSIG 60 PSIG 125 PSIG	P01176 (yellow) P01175 (black) P01174 (white) P01173 (gold)
		GRP-95-111 GRP-96-718 (black) GRP-96-717

Most popular.





04L Miniature Mist Lubricators

- Proportional oil delivery over a wide range of air flows
- Precision needle valve assures repeatable oil delivery and provides simple adjustment of delivery rate
- Ideal for low and high flow applications with changing air flow
- Transparent sight dome for 360° visibility



Material specifications

Body		Zinc
Bowls	Transparent	Polycarbonate
	Metal	Zinc
Drains		Plastic
Seals		Nitrile
Sight Dome		Polycarbonate

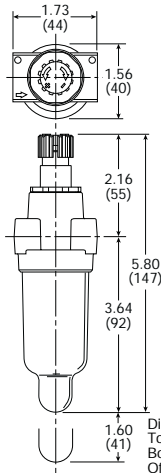
Operating information

Pressure ratings –	
Polycarbonate bowl	0 to 150 PSIG (0 to 10.3 bar)
Metal bowl	0 to 250 PSIG (0 to 17.2 bar)
Temperature rating –	
Polycarbonate bowl	32°F to 125°F (0°C to 52°C)
Metal bowl	32°F to 175°F (0°C to 80°C)
Minimum flow for lubrication:	0.5 SCFM at 100 PSIG

04L Miniature Lubricators



Port size	Bowl type	Drain type	Flow SCFM	Part number (NPT)
1/8"	Poly	None	20	04L00GB
1/8"	Metal without sight gauge	Twist	20	04L03GB
1/4"	Poly	None	20	04L10GB
1/4"	Metal without sight gauge	Twist	20	04L13GB



Service kits

			04L (Mini)
Bowl kits	Poly bowl	No drain	PS421P
		Twist drain	PS420P
	Metal bowl	Twist drain	PS447BP
Mounting bracket kit			PS4197
Oil	1 Quart		F442001
	12 Quart case		F442003
	4 Gallon case		F442005

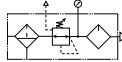
Miniature Close Nipped Combinations



Close Nipped Combinations – 14 Miniature Series

- Regulator can be mounted with knob in up or down position
- 5 micron filter element standard, 40 micron optional
- Manual twist drain
- Relieving regulator

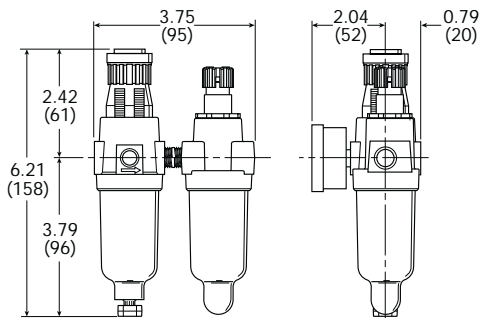


Close Nipped Combinations

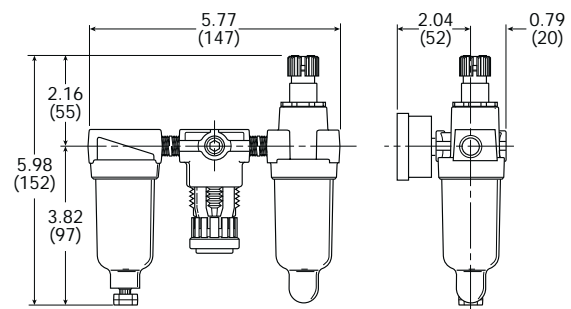


	Port size	Bowl type	Element type	Filter drain type	Relief type	Lubricator drain type	Part number (NPT)
14G 	1/8"	Poly	5 micron	Twist	Relieving	None	14G01B13F0GD
	1/4"	Poly	5 micron	Twist	Relieving	None	14G11B13F0GD
14A 	1/8"	Poly	5 micron	Twist	Relieving	None	14A01B13F0GF
	1/4"	Poly	5 micron	Twist	Relieving	None	14A11B13F0GF

14G (Close nipped 2-unit)



14A (Close nipped 3-unit)



Service kits

Mounting bracket kits –	14E, 14F, 14R	PS417BP
	04L	PS419

WARNING
 Product rupture can cause serious injury.
 Do not connect regulator to bottled gas.
 Do not exceed maximum primary pressure rating.

CAUTION: REGULATOR PRESSURE ADJUSTMENT –
 The working range of knob adjustment is designed to permit outlet pressures within their full range. Pressure adjustment beyond this range is also possible because the knob is not a limiting device. This is a common characteristic of most industrial regulators, and limiting devices may be obtained only by special design. For best performance, regulated pressure should always be set by increasing the pressure up to the desired setting.

 Most popular.